

Horizontal Continuous Band Sealer

Suitable for sealing all types of materials and bags

PP-20T

The Preferred Pack® Model PP-20T is a high quality Horizontal Continuous Band Sealer suitable for sealing all types of materials and bags. Can be used for food, medical or cosmetic industries to name a few.

Uses PE, PP, aluminum foil bags or any heat sealable material.



Standard Features

- Variable sealing speed up to 460"/minute
- Left to right feed direction
- Wide seal width 10MM (.394")
- Seals bags up to 7 mil thick
- Max bag weight 22 lb.
- 7.9" wide conveyor belt
- Adjustable conveyor height
- Locking casters
- Powder coated frame
- 1 year warranty

PP-20T

Horizontal Continuous Band Sealer

Specifications

Sealing Speed	Variable up to 460"/minute
Electrical	110 Volt Power
Air	None Required
Weight	240 lb. Net / 320 lb. Shipping
Conveyor Length	1100mm (43 inches)
Conveyor Belt Width	7.9" wide

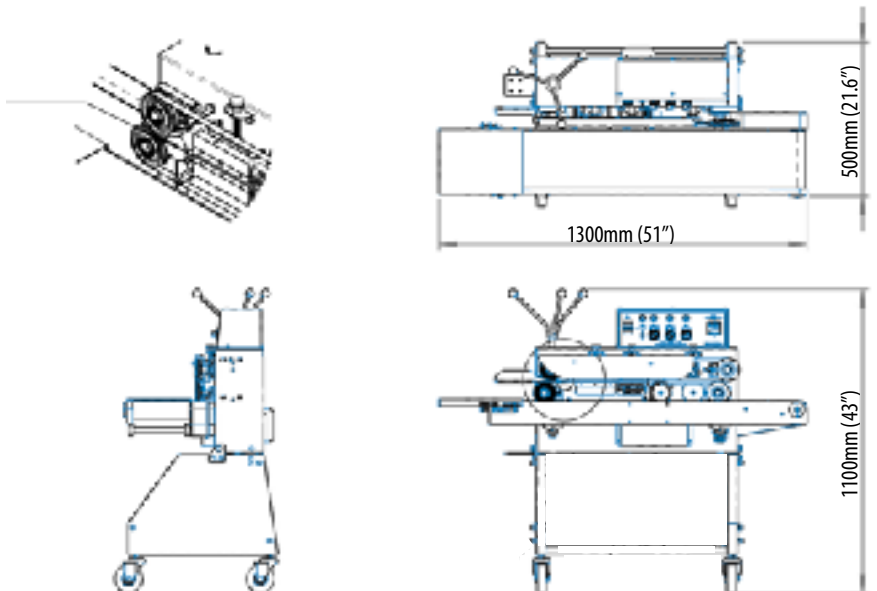
Options

220 Volt Power
Wider Conveyor Widths, 11.8" or 15.75"
4 Digit Counter
Bag Top Trimmer (not available with date coders)
All Stainless Steel Construction
Seal Throat Depth of 3.5" or 5.4"
Air Suction Device To Remove Air From Bag
Nozzle Type Vacuum To Remove Air From Bag
Gas Flush Bag to Extend Shelf Life
Filter

Date Coder Options

Hot Ink Roller Coder
Hot Stamp Ribbon Printer

Technical Drawings



Optional Hot Ink Roller Date Coder



Optional Hot Stamp Printer Ribbon Date Coder

