

# Shrink Banding Tunnel

# PP-1230X SBT



Variable Air Velocity Control



Crank Handle to Move Tunnel Chamber Up or Down



14 Adjustable Dampeners



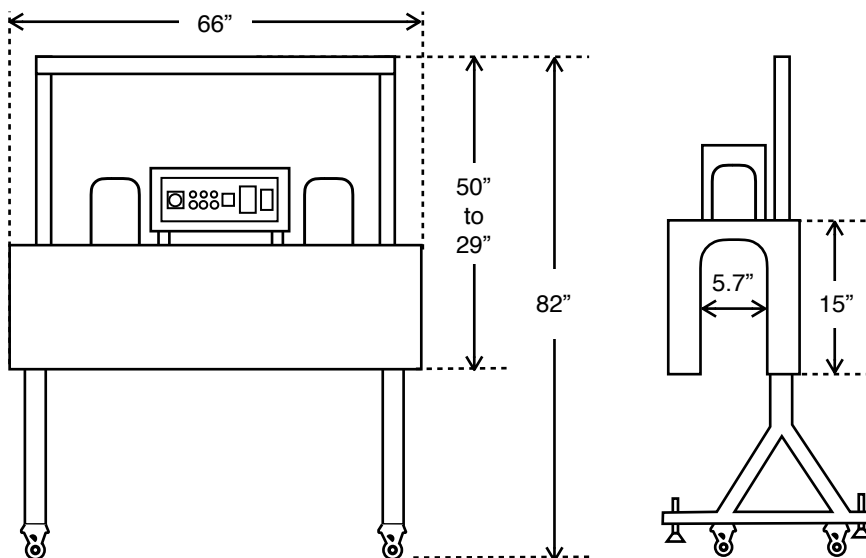
Adjustable Air Flow Dampeners Allow for Precise Air Flow Direction

## OVERVIEW

This versatile tunnel hood can fit over any existing conveyor line and can be used for a wide variety of applications such as tamper evident neck bands, full body shrink sleeves, pill bottles, jars, food & beverage containers and other similar containers. A proven workhorse with thousands of machines in the field successfully running since 1993. Our 25 plus years of experience as the industry leader in manufacturing Neck Banding Tunnels will give you the peace of mind knowing you have purchased the best machine available on the market today!

## KEY FEATURES

- Digital temperature control
- Variable air velocity control
- 14 adjustable air flow side vents
- 12 adjustable heater rods
- Two 1HP blower motors
- Adjustable tunnel height from 29" up to 50"



Model #	Tunnel Height	Tunnel Width	Weight	Power	Warranty
PP-1230X SBT	15"	6"	550 lbs (250kg)	220V / 3 Phase / 53 Amp	1 year