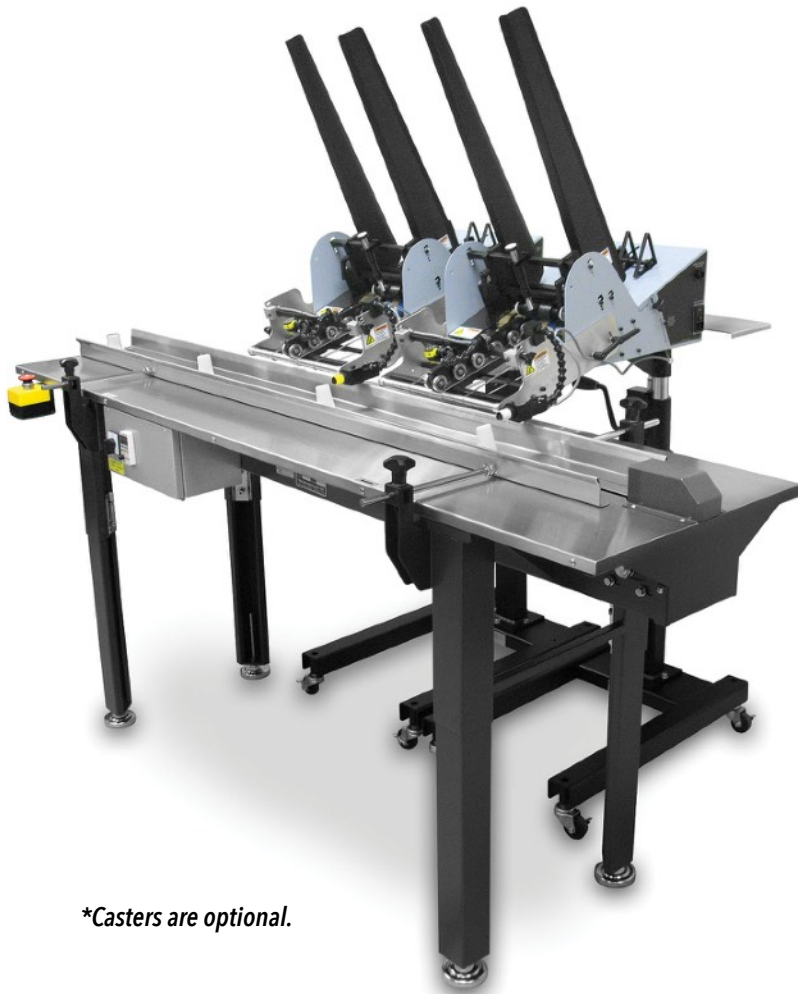


Flighted Infeed Conveyors

Model:

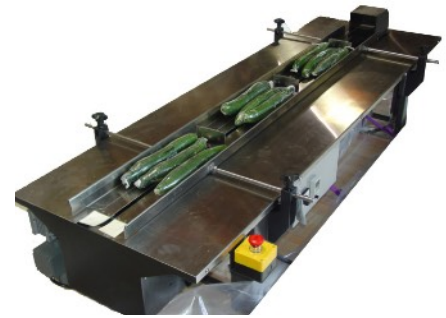
PP-72F

Ideal for loose sheets of paper or stacks of bound items.



6ft Flighted Conveyor with Optional Friction Feeders

Conveyors feature adjustable side guides, adjustable legs with leveling pads. Variable speed drive 0-75fpm and emergency stop switch.



6ft "Paddle" Style Infeed with 4" wide pusher. Great for pushing multiple products.



PP-36F Compact 3ft Flighted Infeeds Save Space

**Casters are optional.*

Model	Description	Conveyor Speed	Adjustable Leg Height	Product Width	L x W x H	Power
PP-36F	3' Flighted Infeed	0 - 75 FPM	From 32" - 42"	18 inches	36" X 20" X 32-42"	220v, 1 phase, 5 amp
PP-72F	6' Flighted Infeed	0 - 75 FPM	From 32" - 42"	18 inches	72" X 20" X 32-42"	220v, 1 phase, 5 amp
PP-108F	9' Flighted Infeed	0 - 75 FPM	From 32" - 42"	18 inches	108" X 20" X 32-42"	220v, 1 phase, 5 amp
PP-144F	12' Flighted Infeed	0 - 75 FPM	From 32" - 42"	18 inches	144" X 20" X 32-42"	220v, 1 phase, 5 amp

** Locking casters are optional*

** 5" of extra adjustment with leveling pad*

** Other widths and lengths available up to 30 ft (please inquire about pricing)*

** All models available in IP-55 low pressure wash down #304 Stainless Steel frame construction (please inquire about pricing)*

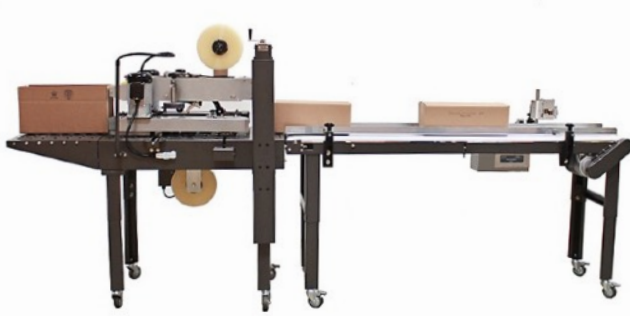
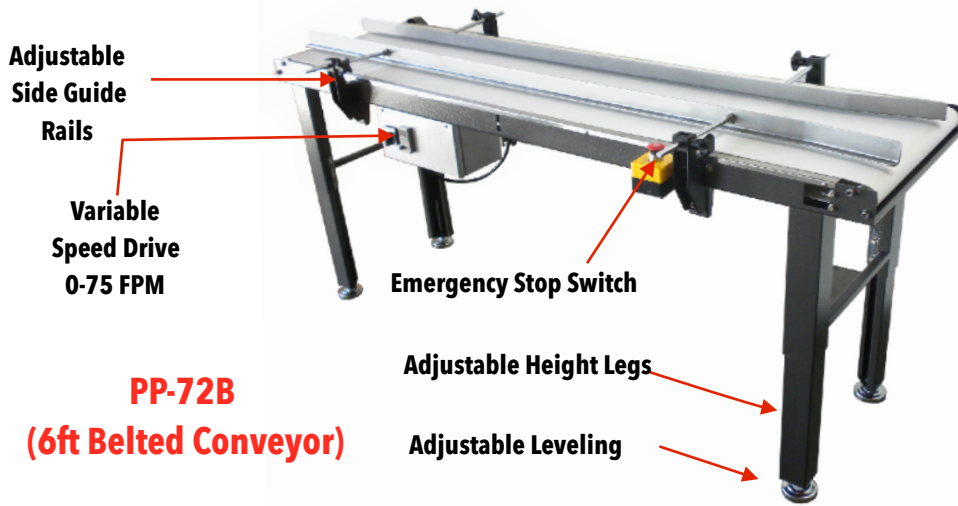
** Standard flight lug spacing is 18 inches. Optional 12" and 9" are also available.*

Belted Infeed Conveyors

Model:

PP-72B

Ideal as feeding conveyor or separating conveyor.



Shown with CT-50 Carton Sealer and Ansur 2" print head for printing barcode or text onto boxes at 1/10 the cost of labels.



Shown with Ansur Dual 1/2" Print Heads



Shown with Ansur Dual 1" Print Heads

Model	Description	Conveyor Speed	Adjustable Leg Height	Belt Width	L x W x H	Power
PP-36B	3' Belted Infeed	0 - 75 FPM	From 32" - 42"	18 inches	36" X 20" X 32-42"	220v, 1 phase, 5 amp
PP-72B	6' Belted Infeed	0 - 75 FPM	From 32" - 42"	18 inches	72" X 20" X 32-42"	220v, 1 phase, 5 amp
PP-108B	9' Belted Infeed	0 - 75 FPM	From 32" - 42"	18 inches	108" X 20" X 32-42"	220v, 1 phase, 5 amp
PP-144B	12' Belted Infeed	0 - 75 FPM	From 32" - 42"	18 inches	144" X 20" X 32-42"	220v, 1 phase, 5 amp

*** Side Guides Adjustable From 2.5"-19.5"**

*** Other widths and lengths available up to 30 ft. Please inquire about pricing.**

*** All models available in IP-55 low pressure wash down #304 Stainless Steel frame construction. Please inquire about pricing.**