

PA4000

Automatic Printer Applicator Head

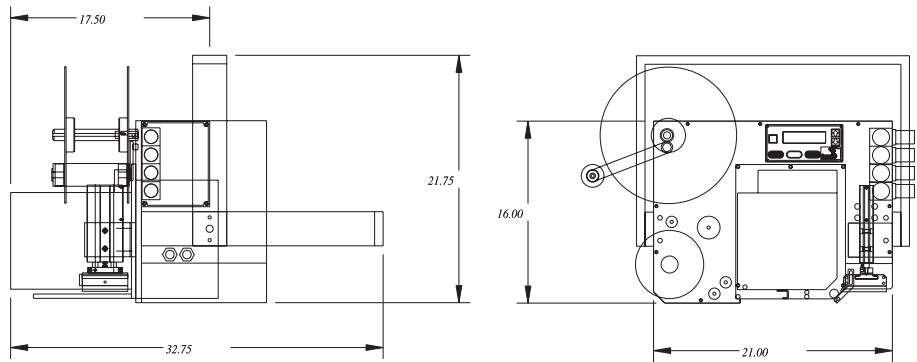
The PA4000 Automatic Printer Applicator is a high performance labeling head capable of speeds of up to 16 linear inches per second. It comes complete with a direct drive DC stepper motor, powered rewind, a 6.5-inch web width, and a standard 12-inch diameter label roll capacity. Under microprocessor control, the PA4000 is accurate to $\pm 1/32$ of an inch.



- Heavy duty construction specifically designed for industrial applications.
- Microprocessor controller gives flexible and accurate label placement.
- Stainless steel and anodized aluminum provide protection from corrosive environments.
- Solid drive construction ensures even pressure to the label web resulting in extremely accurate label placement.
- The applicator head can be oriented to any attitude for side, top or bottom placement.
- Handles a full assortment of label shapes and sizes.
- Incorporates Zebra*, Sato*, Avery* or Datamax* OEM Print Engines.
- Available in Wipe-On, Tamp-Blow and Blow-On Versions.
- 50 memory presets for fast product change over and setup.
- Leading and trailing edge corner wrap options available.

PA4000

Automatic Printer Applicator Head



PA4000 Printer Applicator Specifications

Speed	Up to 16 inches per second.	
Accuracy	± 1/32 of an inch with consistent product dimensions	
Control Electronics	Microprocessor Controller	
Label Size	Minimum: Wipe-On: 1/2" by 1"; Tamp or Blow-On: 1" by 1" Maximum: Wipe-On: 6-1/2" by 12"; Tamp or Blow-On: 6-1/2" by 6"	
Electrical	115 VAC, 50/60 Hertz, 5 Amps	
Product Detection	Photoelectric	
Label Capacity	6.5" web width, 12" diameter label roll, 3" core	
Options	Low Label Warning Out of Label Warning Web Break Warning Rate Compensation Label/Product Counter Clear Label Sensor Printer Verification Low Ribbon Out of Ribbon	Three Stage Light Pole 16-inch Unwind 18-inch Powered Unwind



11799 Jersey Blvd, Rancho Cucamonga, CA 91730
909-476-1100 • Fax: 909-923-1313
www.excelpackagingequipment.com