

AG-series

■ description

The AG is a family of supreme auger filler equipped with smooth finishing, seamless screw surface offers clean, precise filling power and - perfect for powder operation such as coffee powder, milk powder, spices, chemical and agricultural products.

The AG was first designed as a filling device for form fill seal machines, and later developed into standalone units for semi-automatic operating needs.

Its dual blade agitators was one of the early design capable to effectively prevent gelatin powder mix from accumulating on the hopper's inner surface.

The AG is well established with clients running various products around the world, and has become a preferred auger filler for our automated lines.



■ advantage

- ★ Automation-Ready - exclusive upstream and downstream connection!
- ★ frequency-regulated dual-blade agitator
- ★ larger hopper size
- ★ servo power control auger - servo performance and response on every fill
- ★ solid 304 stainless steel construction
- ★ vibrating level switch



SW118 Screw Conveyor
Workhorse Powder Conveying!

AG135-S Standalone A.F.
All-New Servo Power Control Auger: Absolute Performance on Powder Filling



■ advantage - S

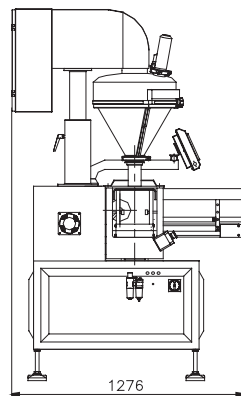
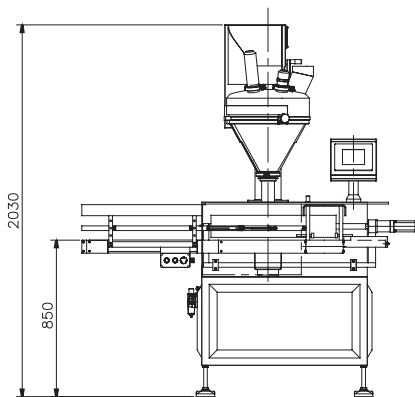
- ★ all standard advantage plus+
- ★ Titus III human interface with ES clean technology
- ★ 7-inch OMRON touch screen
- ★ OMRON PLC

■ options

- collector funnel assembly
- hopper add-on kit (extra 18 litres)
- hopper gas flushing connector
- powder dust extractor
- valve closer on auger spout
- special voltage



(Top) The AG95 auger filler with vibrating level switch and valve closer on auger spout.



(Left) The AG95 auger filler with RG45 rigid container positioning system.

■ technical specifications

	Unit	AG 50	AG 95	AG 135
filling range	gram	1 - 50	10 - 1000	100 - 2000
production cycle/min	ppm		10 - 50	5 - 40
accuracy	%		± 0.3 - 1.0	
hopper volume	litre	8	25	50
machine weight	kg	65	130	200
machine dimensions	mm	L1050 x D980 x H1210	L400 x D800 x H860	L600 x D1050 x H1100
power	kW	0.8	1.1	2.0
voltage		220VAC, 50Hz, 1-Ph		