

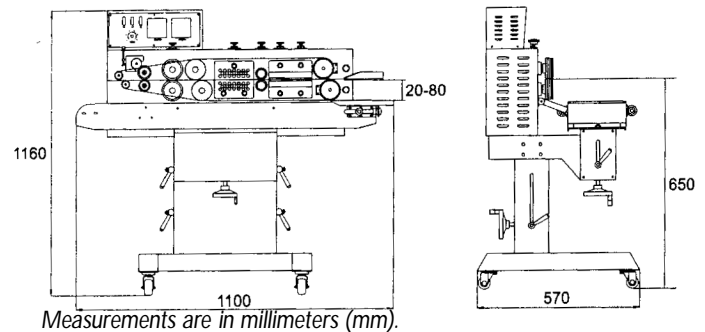
Free-Standing Solid Ink Coding CONTINUOUS BAND SEALERS

Model No. PP-1120C

PP-1120C is designed to quickly and efficiently seal any thermoplastic material including PE, PPE, stand up pouches, gusseted bags, and moisture barrier bags. This sealer can also be used in a wide array of fields such as: food, medical, and cosmetics industries.

STANDARD FEATURES

- Durable stainless steel construction
- Tilting seal head which allows the machine to tilt up to 30 degrees
- Suitable for any product including liquids
- Solid state temperature controller that maintains the seal bars at a proper temperature for consistent seal quality
- Fully adjustable conveyor (both height and depth of conveyor in relation to seal bars can be adjusted)
- Dry ink coding allows for printing at the seal line
- Unit feeds from Right to Left



SPECIFICATIONS

Power Supply	110V/60Hz	Conveyor Size	43" x 8"
Motor Power (watts)	100w	Max. Conveyor Load	16.5lbs
Sealing Speed	0-394"/min	Dimensions (L x W x H)	43" x 24" x 41"
Seal Width	8mm	Character Size	18PT / 10.5PT
Weight	187lbs / 275 (GW)	Printing Lines	Max. 3 lines
Temperature Range	0-300°C		20 characters/line
Heat Sealing Power (w)	300 x 2	Printing Heating Power (w)	40 x 2

