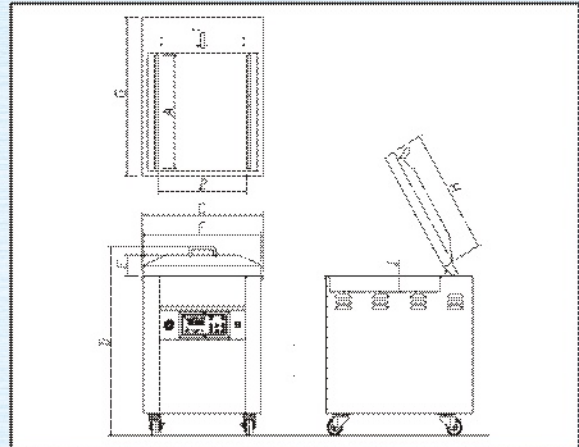
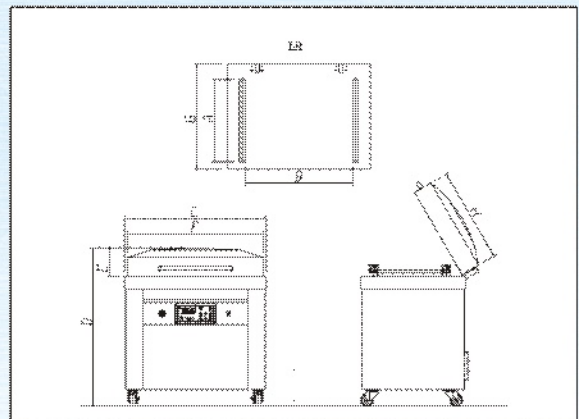


SC Series Vacuum Chamber Packaging Machines Technical Specifications

MODELS	SC-420LR	SC-520LR
Chamber Size (F) (H)	19.8"/505mm 19.2"/490mm	23.6"/600mm 23.6"/600mm
Chamber Height (E) (I)	5"+4"/230mm	3"+5"/200mm
Distance Between Seal Bars (B)	14.5"/370mm	18"/450mm
Seal Bar Length (A)	16.9"x2/430mm	21.3"x2/540mm
Vacuum Pump Capacity	21m3/h (1-1/4 hp/1Kw)	21m3/h (1-1/4 hp/1Kw)
Voltage	110V/1ph/60Hz/16amp	110V/1ph/60Hz/16amp
Machine Size CxGxD	21"x22"x36" 522x552x916mm	24"x30"x36" 615x756x916mm
Machine Weight	234 lbs.(106kg)	310 lbs.(140kg)



MODELS	SC-680LR	SC-800-LR
Chamber Size (F) (H)	35.5"/900mm 26"/665mm	38"/960mm 33.5"/850mm
Chamber Height (E)	8"/200mm	8"/200mm
Distance Between Seal Bars (B)	26"/665mm	28.5"/725mm
Seal Bar Length (A)	20.5"x2/520mm	26"x2/660mm
Vacuum Pump Capacity	40m3/h (2hp/2Kw)	63m3/h (3hp/3Kw)
Voltage	230V/3ph/60Hz/8amp	230V/3ph/60Hz/11amp
Machine Size CxGxD	35"x26"x39" 900x665x1000mm	38"x32"x40" 960x805x1020mm
Machine Weight	500 lbs.(227kg)	600 lbs.(272kg)



Standard Features:

- Flat chamber for easy cleaning (SC-680LR and SC-800LR)
- PA-01 Analog (dial) control panel (SC-420LR, SC-520LR, SC-680LR)
- PD-01 basic digital control panel (SC-800LR)
- Bladder activated sealing
- Durable removable aluminum cushion bar
- BUSCH vacuum pump
- Air assist
- 6mm seal wire or cut-off

Options:

- PD-01 basic digital control panel
- PNC-01 Computerized water resistant control panel (IP 56)
(12 programs with oil indicator)
- Single phase motor available (up to 100m3/h, 5hp)
- Pump size
- Voltage
- Gas flush
- Top & bottom seal
- Mechanical knife cut-off system (SC-680/800)
- Custom chamber sizes available
- SC680, SC800 lid height (10" or 12" option)



All specifications are subject to change without notice.