



# RSM-1200T

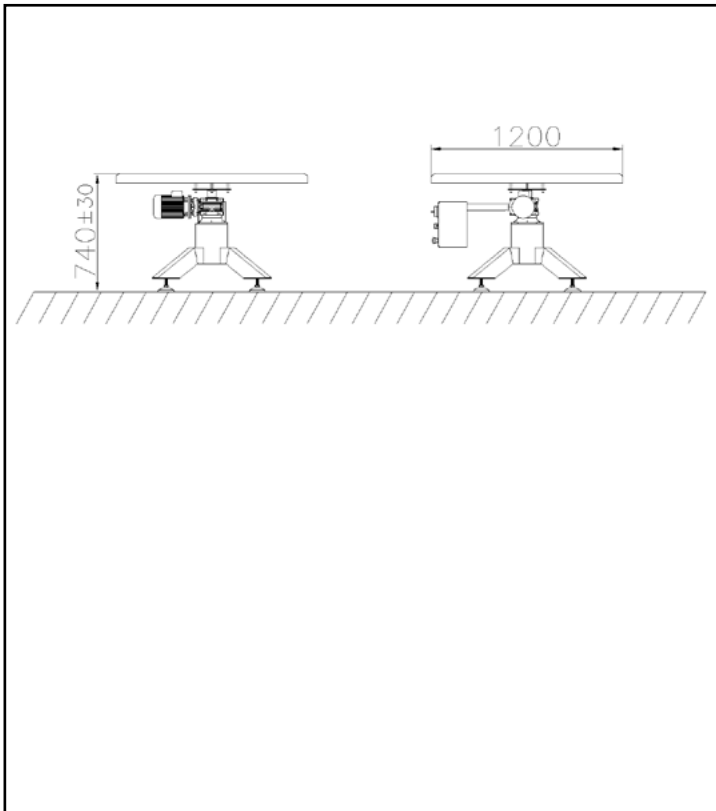
## ROTARY TABLE



- » Direct coupled motor drive
- » Stainless steel 304 forged table surface
- » Stainless steel 304 frame brushed finish
- » 120/230 VAC input voltage

# RSM-1200T

## ROTARY TABLE



### STANDARD EQUIPMENT

- USA made KB Electronics inverter speed control
- Input voltage selection via jumper
- Variable speed control
- Rotating direction control

### OPTIONAL EQUIPMENT

- Casters wheels: 3-inch PU stainless steel caster
- Casters wheels: 2-inch stainless steel levelling caster
- Casters wheels: 2-inch levelling caster
- Wash down motor upgrade
- KZ takeaway conveyors
- KZ check weighers
- KZ metal detectors

### SPECIFICATION

| RSM-1200T                  |  |
|----------------------------|--|
| Table Diameter             | 1200 mm (47 inch)                              |
| Rotating Speed             | 2 ~ 12 rpm                                     |
| Loading Capacity           | 135 kg (300 lbs)                               |
| Machine Weight             | 80 kg (180 lbs)                                |
| Machine Dimensions         | W1200 x D1200 x H740 mm (W47 x D47 x H29 inch) |
| Power                      | 200 W  |
| Voltage                    | 120/230VAC, 50/60Hz, 1-Ph                      |
| Compressed Air Pressure    | Not applicable                                 |
| Compressed Air Consumption | Not applicable                                 |

#### NOTES:

1. Loading capacity is subject to the even distribution of product loaded.
2. Machine dimensions and technical data are indicative. We reserve the right to apply modifications at anytime without prior notice.