

TS2002

Over-wrapping Machine

Excel Packaging
Tel: (909) 971 3494, Fax: (909) 971 3418

The TS-2002 is a multi-purpose Case Overwrapping Machine. It can be converted into overwrapping audio cassette to chocolate box.

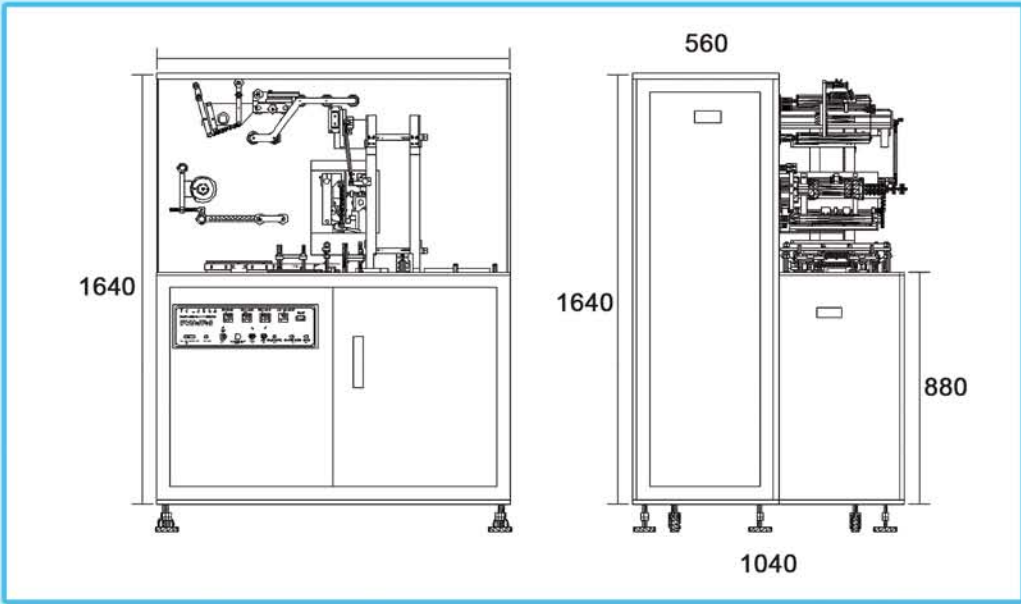
It produces up to 50 wrapped product per minute. It is designed to meet and exceed our customer's packaging needs.

The TS-2002 is a user-friendly, robust and reliable low maintenance solution to overwrapping. It can be operated by a single operator with the optional collection table to reduce labor cost.

Specifications:

- Machine Dimension: 1350 x 1040 x 1640 mm**
- Power: 110VAC Single Phase**
- Motor: 2Hp**
- Speed: Adjustable to Max. 50 pcs/min.**
- Packaged Case dimension: Length : 145mm (max.)**
- Width : 220mm (max.)**
- Height : 30mm (max.)**





TS2002

Over-wrapping Machine

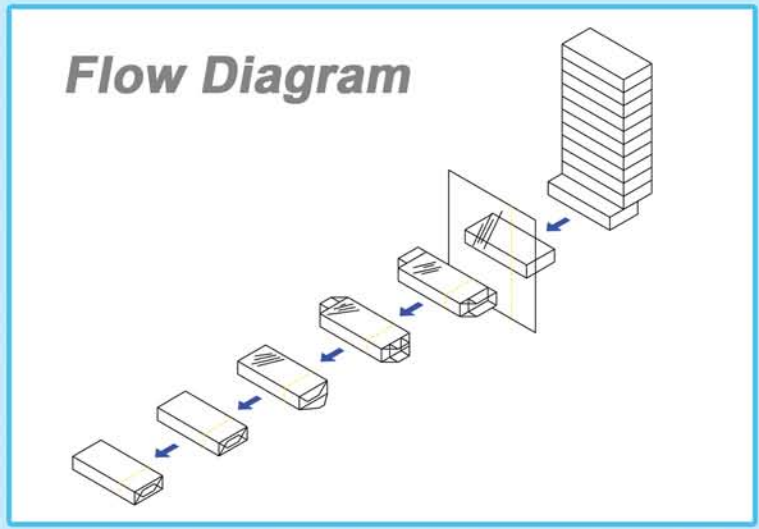
The TS-2002 is a multi-purpose case Overwrapping Machine. It can be converted into overwrapping cigarette boxes to DVD cases.

It produces up to 50 wrapped product per minute. It is designed to meet and exceed our customer's packaging needs.

The TS-2002 is a user-friendly, robust and reliable low maintenance solution to overwrapping. It can be operated by a single operator with the optional collection table to reduce labor cost.

Specifications:

- Machine Dimension:** 1350 x 1040 x 1640 mm
- Power:** 110VAC Single Phase
- Motor:** 2Hp
- Speed:** Adjustable to Max. 50 pcs/min.
- Packaged Case dimension:**
 - Length - 145mm (max.)
 - Width - 220mm (max.)
 - Height - 30mm (max.)



BC300 Collection Table

For collecting products from overwrapping machine



Specification:

- Machine Dimension:** 1200 x 650 x 900 mm
- Power:** 110 VAC Single Phase
- Pneumatic System:** 4 bars
- Speed:** 50 pcs/min.
- Capacity (standard):** 100 pcs for CD/DVD boxes